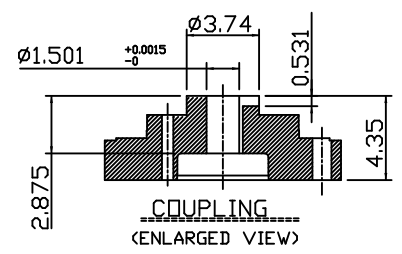
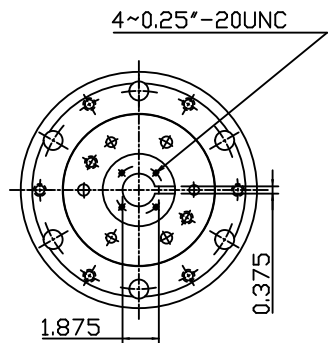


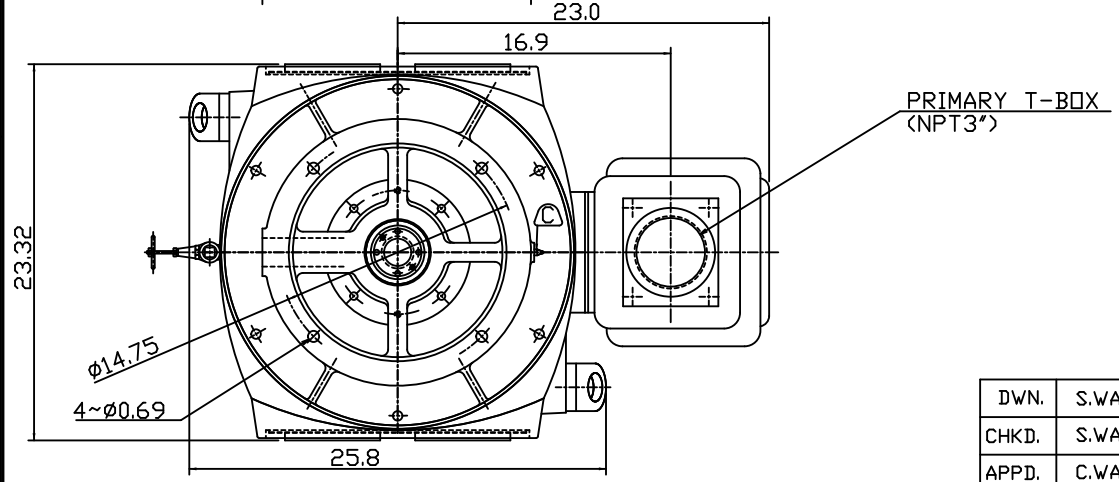
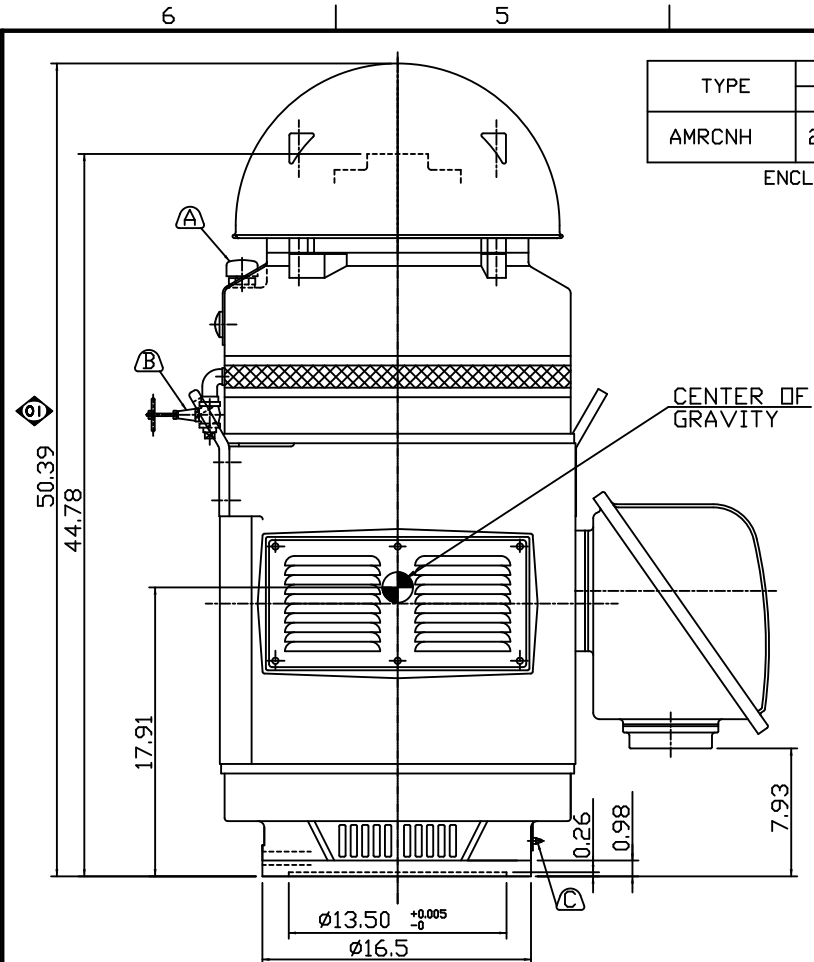
TYPE	OUTPUT		POLE	TIME RATING	VOLTAGE V	Hz	SYN.SPEED R.P.M
	HP.	KW.					
AMRCNH	200	150	4	CONT	460	60	1800

ENCLOSED VENTILATED VERTICAL HOLLOW SHAFT TYPE, SQUIRREL CAGE ROTOR
NEMA WEATHER PROTECTED TYPE I

- NOTE:
1. DIMENSIONS IN INCHES.
 2. FRAME NO.445TP.
 3. F CLASS INSULATION, S.F. 1.15.
 4. FOR DIRECT FLEXIBLE COUPLING.
 5. BEARING SIZE:
UPPER BEARING: 7324B [UNINSULATED]
LOWER BEARING: 6316C3 [UNINSULATED]
 6. LUBRICATION:
UPPER BEARING USE OIL.
OIL VISCOSITY: ISO VG68(300 SSU/100°F)
OIL QUANTITY: 3.5GAL.
LOWER BEARING USE ESSD POLYREX GREASE.
 7. THRUST CAPACITY:
MAX. ALLOWABLE CONT. DOWNTHRUST: 10,000 LBS.
MAX. ALLOWABLE MOMENTARY UP THRUST: 3,000LBS.
BEARING LIFE: B10/8800 HRS.
 8. ROTATION: COUNTER-CLOCKWISE (VIEWED FROM TOP).
 9. WITH NON-REVERSE RATCHET MECHANISM.
 10. WITH GIB KEY: 0.375x0.375x2.875, 1PCS
 11. NOISE: BELOW 85dBA AT 1 METER DISTANCE NO LOAD.
 12. NATURAL REED FREQUENCY: 41HZ.
ABOVE CALCULATION IS CONSIDERING MOTOR AND FOR REFERENCE ONLY.
 13. MOTOR APPROX. WEIGHT: 1820 LBS.



- (A) OIL FILLER [UPPER BEARING]
- (B) OIL DRAIN [UPPER BEARING]
- (C) GREASE INLET NIPPLE [LOWER BEARING]



DATE	Jan. 14, 2012	OUTLINE DIMENSIONS	
CAT. #:	VHP2004		3-PHASE INDUCTION MOTOR
DWN.	S.WANG	NOV-10-2008	TEC Westinghouse
CHKD.	S.WANG	NOV-10-2008	
APPD.	C.WANG	NOV-12-2008	
			DWG NO. REV:01
			3B040T441